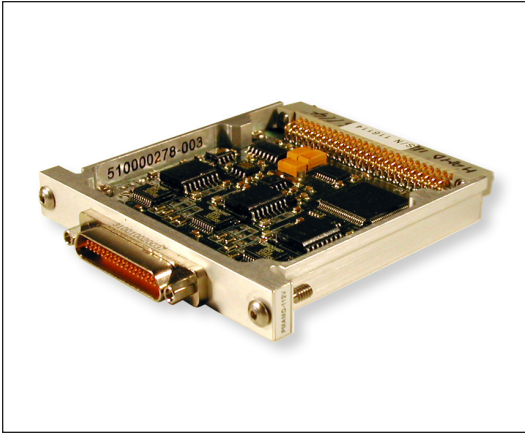


SATCOM Pluggable Bus Monitor Module



Applications

- Satellite Communications Interface (SATCOM) Bus Monitoring
- Time-Tagging Data
- Lab Test

Features

- For use in TTC's PMEDAU-2000 and PMCDAU-2000 serial products
- Bus Monitor function for two SATCOM interfaces at 38.4k baud
- RS422 Inputs
- Encodes Data as an "Asynchronous Embedded Data" within the PMC-DAU/PMEDAU PCM stream
- Fully Programmable through the host chassis RS232/422 Interface
- Multiple PMSIF-100 modules can be used in the same host chassis
- Supports Time-tagging of messages on a per block basis with the use of any of TTC's Time Code Modules
- High, Low and Micro Time
- Windows XP/NT/2000 Software Included

Description

The PMSIF-100 is a SATCOM interface module that can be used in TTC's PMEDAU-2000 and PMCDAU-2000 serial products. The MSIF-100 is capable of interfacing up to two SATCOM interfaces for monitoring all data transmitted in either direction from the Mission Computer and the Radio set. It accepts RS-422 differential inputs at 38.4Kbps. Incoming messages are FIFO buffered on the module for recording, telemetry or real-time analysis purposes.

Revision 03/04/2016

PMSIF-100 Datasheet

©2015 Teletronics - A Curtiss-Wright Company
Specifications subject to change without notice.
Approved for Public Release 16-S-1522



CAIS
Compatible



Management
System
AS9100C
ISO 9001:2008

Teletronics - A Curtiss-Wright Company
15 Terry Drive, Newtown, PA 18940
phone: 267.352.2020 fax: 267.352.2021 Sales@ttcdas.com

www.ttcdas.com

PMSIF-100 – SATCOM Pluggable Bus Monitor Module

Technical Specifications

General Specifications

Supply Current: +5V @400mA

Power Consumption: 2 watts maximum from the 28V supply

Operating Temperature: -35°C to +85°C (box ambient temp)

Storage Temperature: -55°C to +100°C

Dimensions and Mechanical

Compatibility: Operates in any PMCDAU-2000 or PMEDAU-2000 unit

Weight: 2 oz. (77 grams)

Unit Connectors: Cannon™ MDM-37S

Mating Connectors: Cannon™ MDM-37P-H006LA174 or Airborn™ MM212-037-161-45WD

Bus Monitor Functions

Compatibility: Compatible with Uart interface at 38.4K Baud

Time Tag: Time tagging with High Time, Low Time, and Micro Time words on a Block basis

Data Structure: Time Tagged Blocks of 128, 256, 512 or 1024 words

Interface Signals

Differential Inputs: RS-422 compatible with internal 120 ohm termination resistors for three Incoming UART Ports

Embedded PCM

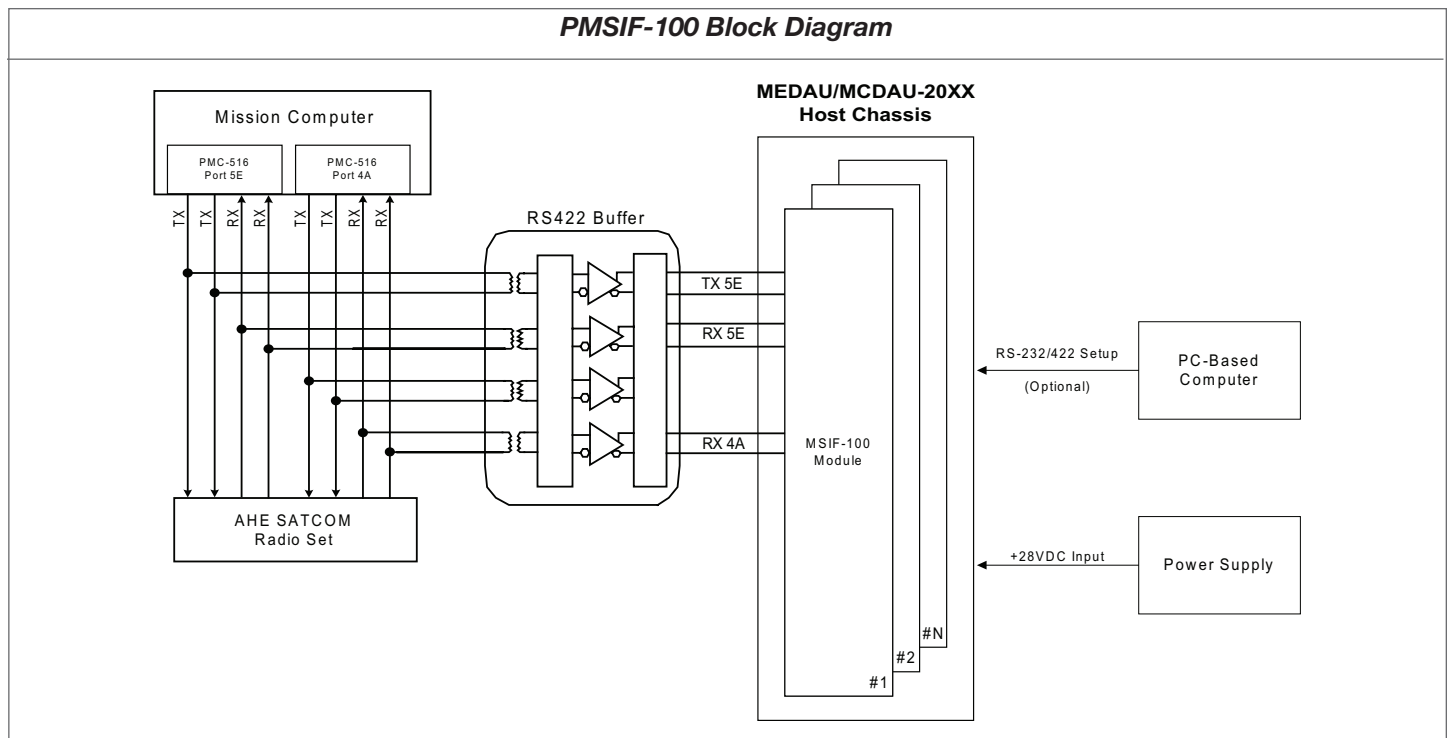
Bits per Word: Programmable, based on the PMCDAU/PMEDAU word settings

Sampling Rate: Programmable under PMCDAU/PMEDAU format control

Output Buffer: FIFO based Interface for rate coupling

Flags: FIFO Empty Flag "AAAAh"; FIFO Full Flag "4000h"

Word ID: Bit indicating whether from RX or TX Input Port



PMSIF-100 Datasheet

©2015 Teletronics - A Curtiss-Wright Company

Specifications subject to change without notice.

Approved for Public Release 16-S-1522

Teletronics - A Curtiss-Wright Company

15 Terry Drive, Newtown, PA 18940

phone: 267.352.2020 fax: 267.352.2021 Sales@ttcdas.com

www.ttcdas.com