

6 Channel FM/FM Telemetry Pack

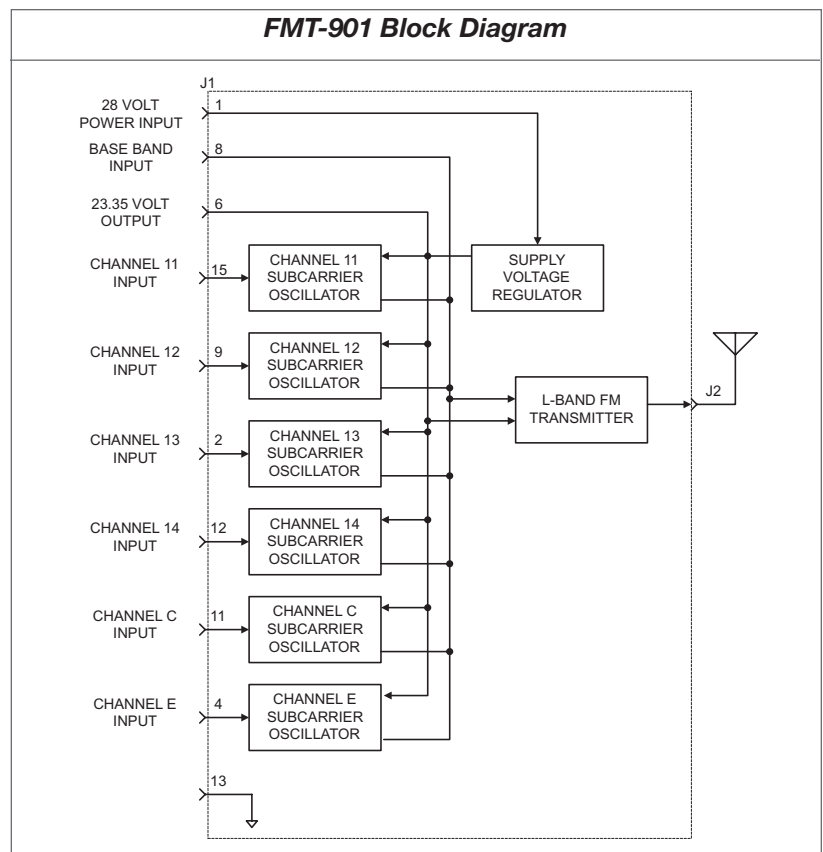


Features

- 6 Standard IRIG Proportional Bandwidth Subcarrier Channels
- Available in any of 10 Different Carrier Frequencies
- Greater than 500 Milliwatts RF Carrier Output
- L-Band Operation (1435 to 1530 MHz)
- Small and Environmentally Rugged
- May be Mounted Externally with the Antenna Direct Attached

Applications

- Weapon Drop/Separation Testing
- Weapon System Evaluation testing
- Flight Deck Arresting Cable Testing
- Six Degree of Freedom Testing
- Remote Ground Vehicle Testing



Revision 04/02/2009



FMT-901 Series Datasheet

©2009 Teletronics Technology Corporation
Specifications subject to change without notice.

Teletronics Technology Corporation
15 Terry Drive, Newtown, PA 18940
phone: 267.352.2020 fax: 267.352.2021 Sales@ttcdas.com

www.ttcdas.com