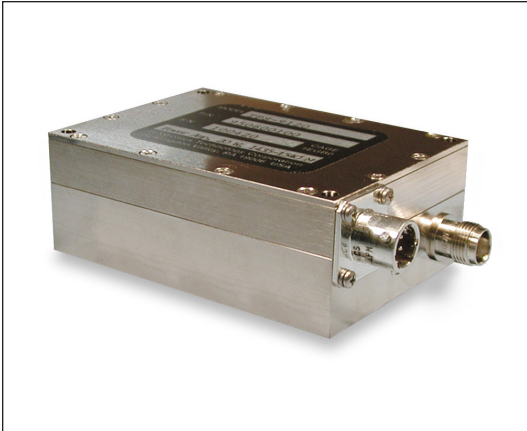


## 11 Cubic Inch Power Amplifier - 10 or 20 Watts



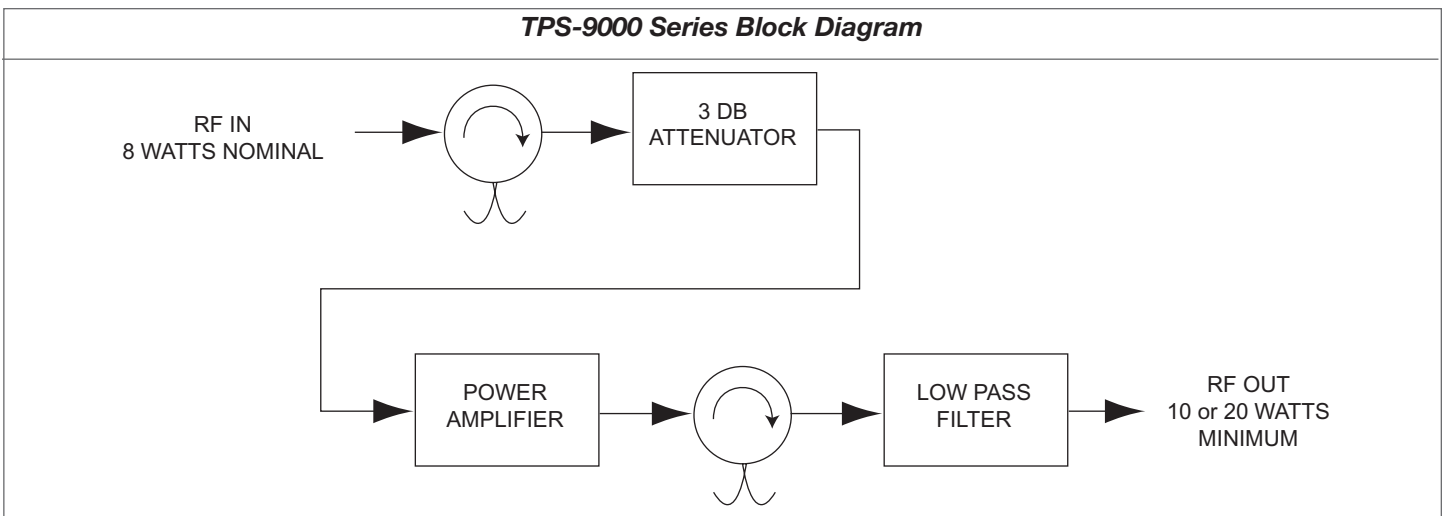
### Features

- L & S Bands
- 10 or 20 Watt Power Output
- 2.5" x 3.5" x 1.31" Package
- Environmentally Rugged

### Applications

- Aircraft Flight Testing
- Missile Performance Testing
- Space Craft Instrumentation
- Remote Ground Communication

**TPS-9000 Series Block Diagram**



Revision 03/30/2009



### TPS-9000 Series Datasheet

©2009 Teletronics Technology Corporation  
Specifications subject to change without notice.

Teletronics Technology Corporation  
15 Terry Drive, Newtown, PA 18940  
phone: 267.352.2020 fax: 267.352.2021 Sales@ttcdas.com

[www.ttcdas.com](http://www.ttcdas.com)